

QUICK START GUIDE

LiveCore™ Output Expander - Ref. LOE032-4K

Thank you for choosing **Analog Way** and the **LiveCore™ Output Expander**. By following these simple steps, you will be able to set up and use your Powerful multi-screen Seamless Switcher based on **Analog Way's** new LiveCore™ platform within minutes. Discover the **LiveCore™ Output Expander** capabilities and intuitive interface while commanding top-notch presentations and unleash your creativity for a new experience in show and event management.

Register
your
product

Go on our website to register your product(s) and be notified about new firmware versions:
<http://bit.ly/AW-Register>

WHAT'S IN THE BOX

- 1 x **LiveCore™ Output Expander (LOE032-4K)**
- 1 x Power supply cord
- 1 x Ethernet cross cable (for device control)
- 1 x MCO 10 pin connector
- 1 x Web-based Remote Control Software included and hosted on the device
- 1 x Rear rack mount kit (the parts are stowed in the packaging foam)
- 1 x Quick start guide*
- 1 x Safety instructions datasheet
- 3 x LiveCore™ Link cable (OPT-LINK)

* The Quick start guide is also available on www.analogway.com

CAUTION!

Mounting using only the front rack ears is sufficient for fixed installations. Additional support, such as the rear rack support or slide rails, is required for mobile applications, and recommended for all.

QUICK INSTALL AND SETUP

Connecting with the Web RCS

The **LiveCore™ Output Expander** uses standard ethernet LAN networking. To connect the **LiveCore™ Output Expander**, you first need to connect it to the same network than your **Ascender 32 - 4K** and your computer. To be sure it is on the same network than your computer, open an internet browser which supports Flash® player.

Into this internet browser, please enter the IP address of the **LiveCore™ Output Expander** displayed on the front panel screen.

The connection should start.

Often, computers are set to DHCP client (automatic IP detection) mode. You may need to change the IP address configuration on your computer before you can connect. These settings are found in the properties for your LAN network adaptor, and vary by operating system.

The default IP address on the **LiveCore™ Output Expander** is **192.168.2.140** with a netmask of **255.255.255.0**. Therefore, you can assign your computer a static IP address of **192.168.2.100** and a netmask of **255.255.255.0** and should be able to connect.

If the connection is not starting, please see:

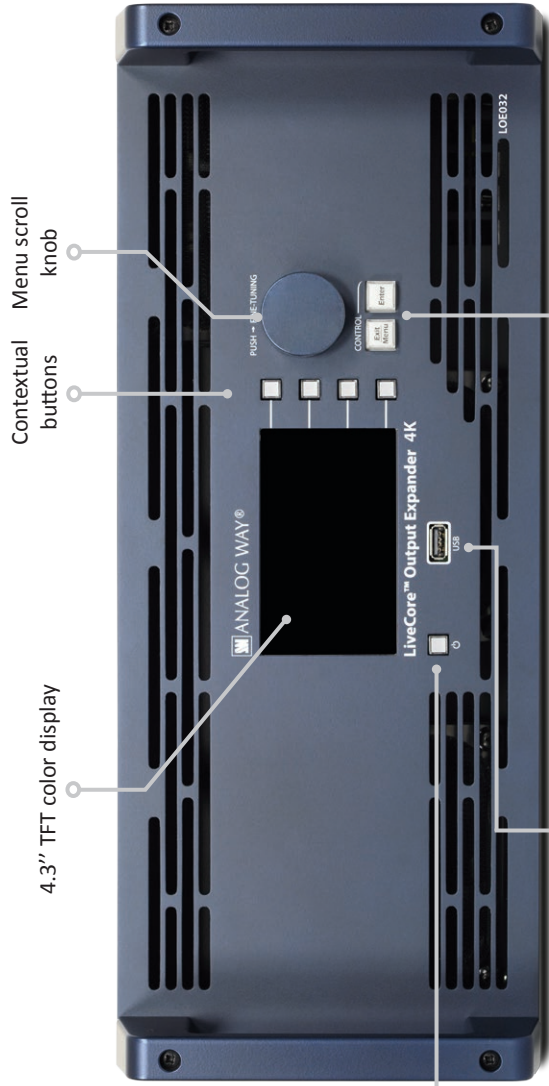
- Be sure the computer IP address is on the same network and subnet as the **LiveCore™ Output Expander**.
- Be sure that no two devices have the same IP address (prevent IP conflicts)
- Check your network cable. You will need a crossover ethernet cable if you are connecting directly from the **LiveCore™ Output Expander** to the computer. If a hub or switch is involved, use straight ethernet cables.
- For more information, please see the user manual or contact your local technical support.

Once you have successfully connected, the flash app will automatically download and launch in your browser. When the two icons in the bottom right corner of the screen turn green, the Web RCS is ready to use. If you are having trouble synchronizing, try clearing the cache and refreshing the page (ctrl+F5 in most browsers):

- **LOE032-4K**: will turn green when connected
- **Synch OK**: will turn green when the Web RCS has finished synchronizing.



LIVECORE™ OUTPUT EXPANDER - REF. LOE032-4K / FRONT & REAR PANELS DESCRIPTION



4.3" TFT color display

Contextual buttons

Menu scroll knob

The ip address can be changed by the front panel into the control menu.

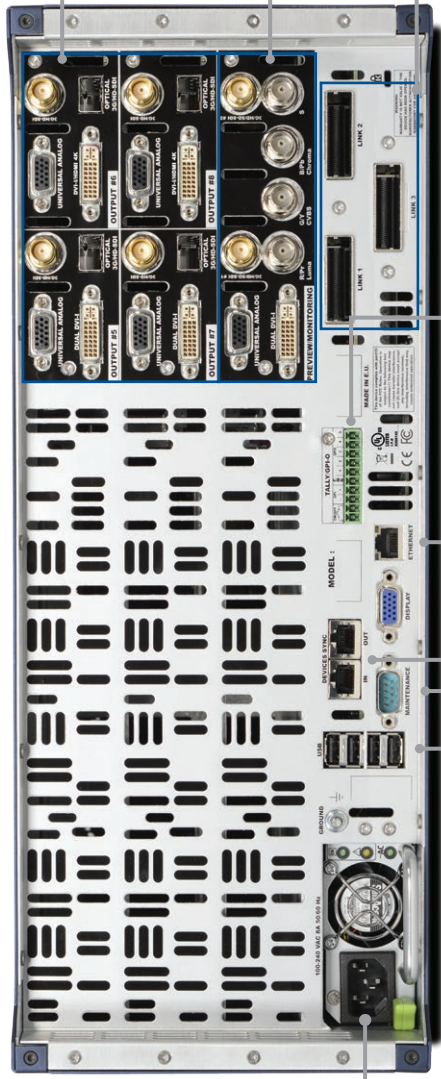
On/Off - Stand-by:

Press once and select YES for stand-by mode. Hold for 3 seconds for stand-by mode to force power off

Control:

Exit/Menu: Home menu or back one level
Enter: validate the menu or command

USB Plug



Output #5, #6, #7 & #8

- 8 x Universal Analog (4 x HD15 & 4 x DVI-A)
- 4 x DVI-I (DVI Dual-Link on outputs #5 & #7, HDMI 4K available on outputs #6 & #8 through DVI connectors)
- 4 x Video Optical SFP module cage
- 4 x 3G/HD/SD-SDI

Monitoring Preview output:

- 2 x Universal Analog (HD15 & DVI-A)
- 1 x DVI-I
- 2 x SD/HD/3G SDI
- 1 x RGBs/RGB/YPbPr/YC/comp Analog output

Link cables:

Use the 3 link cables to share inputs/outputs in the additive modularity configuration.

Removal Power supply:

100-240 VAC; 8A;
 50/60Hz; 405W; internal, autoswitchable

CAUTION:

The user should avoid disconnecting the power source (AC input) until the unit is in stand-by mode. Failure to do this could result in hard drive data corruption.



Devices sync:

Used for effect sync in multi-machine mode.
 See User's Manual for details

RS232 port:

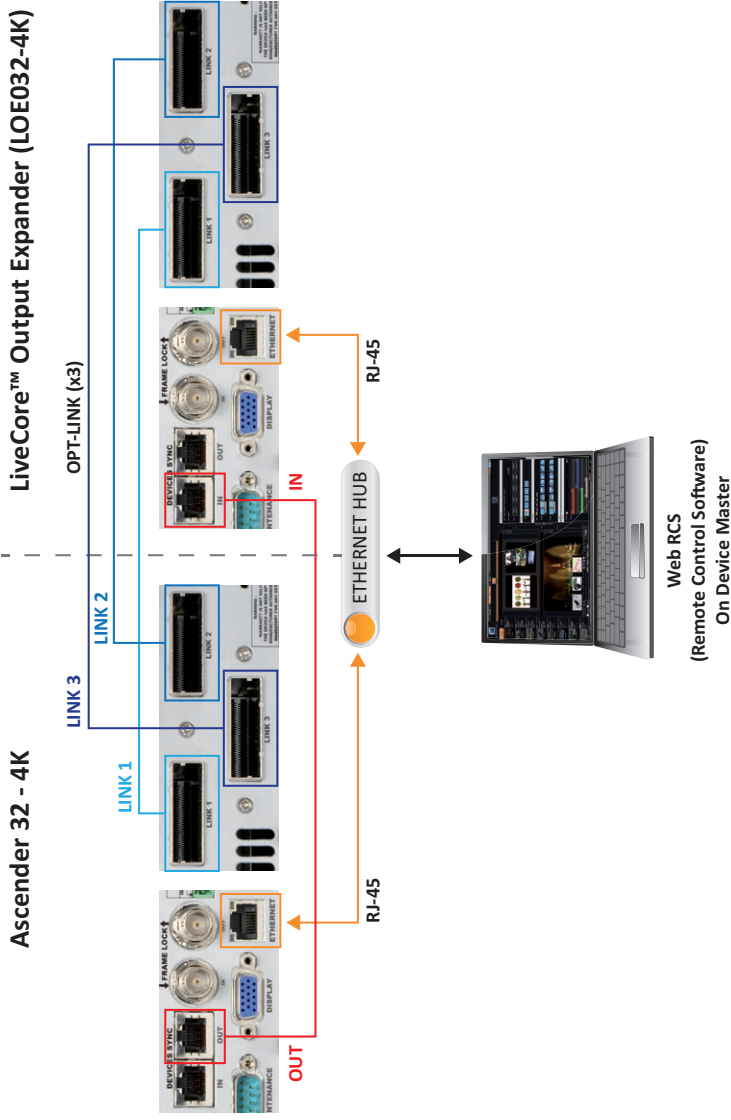
Reserved for manufacturer

Ethernet Plug

Tally

4 x USB Plugs

OPERATION OVERVIEW - CONNECTING THE UNIT



CONNECTING

You need to connect first of all units with an RJ45 cable to the Ethernet hub in order to communicate with the computer.

Then you need to connect a RJ45 STRAIGHT cable for the specific synchronization between the **Ascender 32 - 4K** and the **LiveCore™ Output Expander (LOE032-4K)**, see the red cable in the schematics.

Finally, you need to connect the 3 data cables (link cable) from the first unit to the second unit. Link1 has to be plug with link1, link2 with link2 etc ...

SETUP MENU

To link the 2 units, you need to connect the Web RCS to the **Ascender 32 - 4K**. Please enter the IP address of the **Ascender 32 - 4K** into your web browser.

Once connected go into **SETUP > Preconfig menu** then **Link**.

Switch from **SINGLE MODE** to **LINK MODE**. At this point you should have the **LiveCore™ Output Expander** IP address and the connection status. If any of the cable are red, that means one of the cable is not well connected. You can refresh the cable connection status clicking on the refresh button. Please click on **PROCEED** to launch the additive modularity.

ADDITIVE MODULARITY

The two units will reboot and the Web RCS will be load again to finish the process.

Now, with only one Web RCS, you have access to a 12 inputs and 8 outputs units with 2 monitoring outputs with 4 layers per screens

Please go into the **Preconfig > Screens** to configure the screen position and start building your show.

WEB RCS STRUCTURE



SETUP

Click on **SETUP**, then go to the preconfig section. The Setup assistant is here to help you to set up step by step your unit by following an interactive tutorial.

EDIT

The **EDIT** mode is the place where you will manage all your configurations. You will manage your inputs, your layers in terms of size position effect etc... your Frames and Logos. You can save all your screen configurations into presets

LIVE

The **LIVE** mode is the section where you will start operating your show. You can play preset one after the other on a real timeline adding some parameters like duration or wait for user interaction.

WARRANTY AND SERVICE

This **Analog Way** product has a 3 year warranty on parts and labor, back to factory. This warranty does not include faults resulting from user negligence, special modifications, electrical surges, abuse (drop/crush), and/or other unusual damage. In the unlikely event of a malfunction, please contact your local **Analog Way** office for service.

GOING FURTHER WITH THE LIVECORE™ OUTPUT EXPANDER

For complete details and operations procedures, please refer to the **LiveCore™** unit User's Manual and our website for further information: www.analogway.com